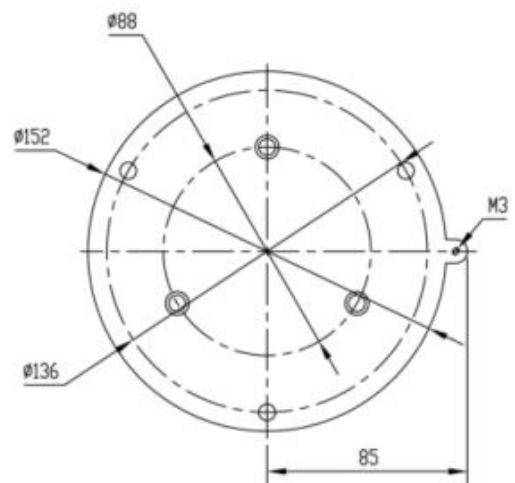
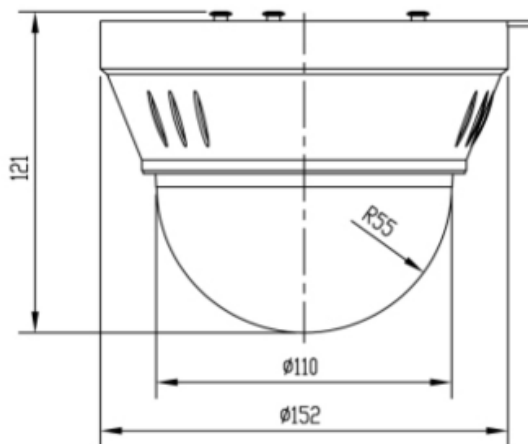


BlueEyes BE-3203 Mini IP PTZ Cameras



Feature

- Selectable MPEG4 / MJPEG video streams.
- Supports up to 30/25 (NTSC / PAL) fps in all resolutions.
- Supports 360° panning and 90° tilting with auto flip.
- Total 120X zoom (10X optical, 12X digital).
- Supports day and night function.
- Equips IP66 casing for water and dust preventing.
- Flexible indoor / outdoor mounting applications.



www.BlueEyes.com.tw

BlueEyes BE-3203 Mini IP PTZ Cameras

Specification

Video system

- Video sensor: 1/4" Sony Exview HAD CCD
- Min. illumination: 0.1 lux, F1.8
- Lens: 4.2~42 mm
- IRIS mode: Auto/ Manual

PTZ Function

- Pan rotation range: 360° continuous rotation
- Pan speed: 1°~160° /S
- Tilt rotation range: 0°~90° with auto-flip
- Tilt speed: 1° ~ 90° /S
- Zoom: 10X optical zoom, 12X digital zoom
- Preset: 128 presets

Image system

- Video compression: MJPEG/ MPEG4 selectable
- Resolutions: 4CIF / 2CIF / CIF
- Frame rate:
 - MJPEG: up to 30(25) fps in all resolutions
 - MPEG4: up to 30 (25) / 24 /15, 5 fps in all resolutions
- Image quality: 5 levels
- Image Setting:
 - Brightness
 - AWB
 - BLC
 - Sharpness
 - Saturation
 - Mirror
 - Flip

Camera shutter

- Electronic shutter: 1/4 sec ~ 1/10,000 sec

Network Interface

- Ethernet (RJ-45 wired, 10 / 100 BaseTX, MDIX supported)

Protocols

- HTTP, TCP, DHCP, UPnP, ARP, DNS, DynDNS, SNTP, PPPoE, RTSP, *SMTP, *FTP
- FTP and SMTP functions are for PAL version only.

Security

- multiple authorities' levels
- IP address filtering
- Users: 8 simultaneous users' access

Connectors

- Ethernet 10/100 Base-TX, RJ-45
- I/O:
 - alarm input x 4

- alarm output x 1

- GND x 2
- BNC connector for analog signal output
- Power jack (AC 24V)
- SD card slot

Alarm and event management

- Trigger: Advanced MD (96 zone, 5 level sensitivity setting)
- Alarm trigger source:
 - built-in motion detection
 - external alarm input
 - network disconnected
- Alarm notification methods
 - ANNP
 - e-mail
 - FTP
 - SD card
 - Alarm output
- Pre-alarm: 100 pictures

Development tools

- HTTP-API
- ActiveX control
- Customized Web page tool

SD card recording mode

- 24 hours
- Motion detection
- Schedule
- DI
- Disconnection
- API

Firmware update

- SD card
- HTTP
- FTP

Power Input

- AC 24V

Operating environment

- Temperature: -10°C ~ +50°C

Accessories

- CD x 1
- Quick installation manual x 1
- Power adapter x 1

Design and specifications are subject to change without notice.

www.BlueEyes.com.tw